

# Experimenting with the PicBasic Pro Compiler

Driving multiplexed 7-segment displays

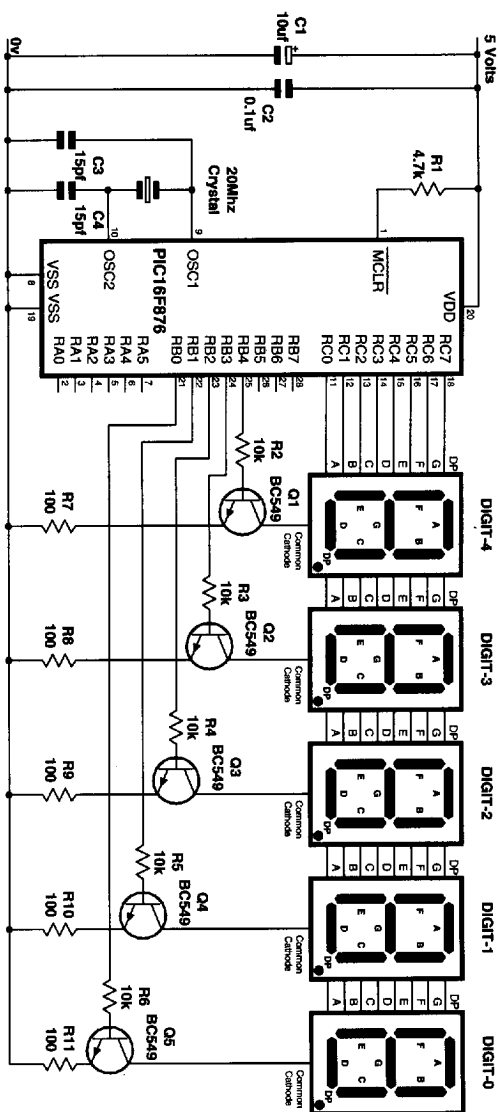


Figure1.10. 5-digit multiplexed common cathode display.